

5. Oplossing van problemen

Probleem	Mogelijke oorzaak	Oplossing
Het waarschuwingslampje op de voorzijde van de UPS brandt niet	Lege accu.	Laat de UPS ten minste 6 uur opladen.
	Defecte accu.	Vervang de accu door een nieuwe van hetzelfde type.
Het alarm klinkt voortdurend, ook al werkt het elektriciteitsnet normaal.	De UPS is niet ingeschakeld.	Druk kort op de schakelaar van de UPS, zodat de in gebruik genomen wordt.
	De UPS is overbelast.	Ontkoppel een gedeelte van de belasting. Controleer vóórdát u de apparaten opnieuw aansluit, of de belasting beantwoordt aan de capaciteit van de UPS die in de specificaties is vermeld.
Het alarm klinkt voortdurend, ook al werkt het elektriciteitsnet normaal.	UPS fout	Het toestel terug naar het service center.
	Defecte accu.	Vervang de batterij met de batterijen van hetzelfde type.
Bij een stroomuitval werkt de UPS slechts korte tijd.	opladen aan boord is beschadigd	Het toestel terug naar het service center.
	De UPS is overbelast.	Ontkoppel een gedeelte van de belasting.
Het elektriciteitsnet werkt normaal, maar de controle-LED knippert.	De accuspanning is te laag.	Laat de UPS ten minste 6 uur opladen.
	Defecte accu. Het kan om een gebrek gaan dat veroorzaakt wordt door een te hoge omgevingstemperatuur of door slijtage van de accu.	Vervang de accu door een nieuwe van hetzelfde type.
Het elektriciteitsnet werkt normaal, maar de controle-LED knippert.	De voedingskabel zit los.	Controleer zorgvuldig de aansluiting van de voedingskabel.

6. Specificaties

Model	Nano 400	Nano 600	Nano 800
CAPACITEIT	400 VA / 240 W	600 VA / 360 W	800 VA / 480 W
INGANG			
Spanning	110/120 VAC of 220/230/240 VAC		
Tolerantie	90~145 VAC of 180~270 VAC		
frequentie	50 Hz of 60 Hz		
UITGANG			
Spanningsregeling	+/-10%		
Schakeltijd:	Gewoonlijk 2-6 ms		
Golfvorm	Gesimuleerde sinusgolf		
ACCU			
Type en aantal	12 V / 4.5 AH x 1	12 V / 7 AH x 1	12 V / 9 AH x 1
Opladtid	8 uur voor opladen tot 90% van de capaciteit		
AFMETINGEN EN GEWICHT			
Afmetingen (l x b x h)	228 x 82.5 x 207 mm (@ vertically stand)		
Gewicht (kg)	2.2	2.7	3.1
OMGEVING			
Vochtigheid	0-90 %		
Temperatuur	0-40° C (niet-condenserend)		



FSP Standby UPS

Quick Guide V. 1.1

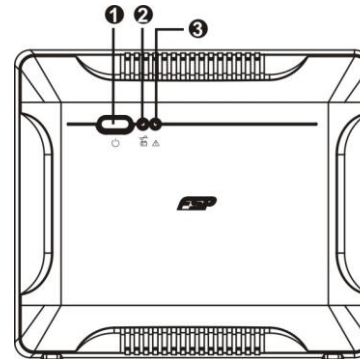
1. Package Contents

You should have received the following items inside of package:

- UPS Unit
- Quick Guide
- Power cable (only for the IEC-type model)

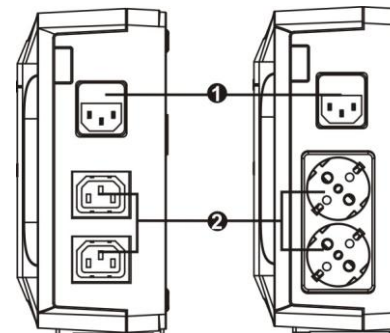
2. Product Overview

Front View:



- ❶ Power Switch
- ❷ UPS status indicator
- ❸ Fault/Battery status indicator

Back View:



- ❶ AC input
- ❷ Output receptacles

EN

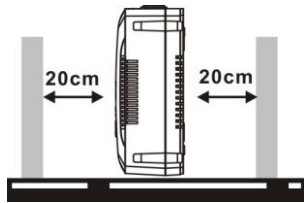
3. Installation and Initial Startup



NOTE: Before installation, please inspect the unit. Be sure that nothing inside the package is damaged.

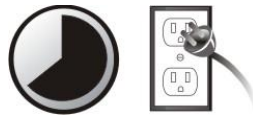
Placement & Storage Conditions

Install the UPS in a protected area that is free of excessive dust and has adequate air flow. Please place the UPS away from other units at least 20 cm to avoid interference. Do NOT operate the UPS where the temperature and humidity is outside the specific limits. (Please check the specs for the limitations.)



Connect to Utility and Charging

Plug in the AC input cord to the wall outlet. For the best results, suggest to charge the battery at least 8 hours (8 Stunden) before initial use. The unit charges its battery while connecting to the utility.



8 hours

Connect the Loads

Plug in the loads to output receptacles on the rear panel of the UPS. Simply turn on the power switch of UPS unit, then devices connected to the UPS will be protected by UPS unit.

CAUTION: NEVER connect a laser printer or scanner to the UPS unit. This may cause the damage of the unit.



Turn On/Off the Unit

Turn on the UPS unit by pressing the power switch. Turn off the UPS unit by pressing again the power switch.

4. Important Safety Warning (SAVE THESE INSTRUCTIONS)

CAUTION! To prevent the risk of fire or electric shock, install in a temperature and humidity controlled indoor area free of conductive contaminants. (See the specifications for the acceptable temperature and humidity range.)

CAUTION! To reduce the risk of overheating the UPS, do not cover the UPS' cooling vents and avoid exposing the unit to direct sunlight or installing the unit near heat emitting appliances such as space heaters or furnaces.

CAUTION! Do not attach non-computer-related items, such as medical equipment, life-support equipment, microwave ovens, or vacuum cleaners to UPS.

CAUTION! Do not plug the UPS input into its own output.

CAUTION! Do not allow liquids or any foreign object to enter the UPS. Do not place beverages or any other liquid-containing vessels on or near the unit.

CAUTION! In the event of an emergency, press the OFF button and disconnect the power cord from the AC power supply to properly disable the UPS.

CAUTION! Do not attach a power strip or surge suppressor to the UPS.

CAUTION! If the UPS is with metal chassis, for safety purpose, grounding is a must during UPS installation in order to reduce leakage current below 3.5mA.

Attention hazardous through electric shock. Also with disconnection of this unit from the mains, hazardous voltage still may be accessible through supply from battery. The battery supply should be therefore disconnected in the plus and minus pole at the quick connectors of the battery when maintenance or service work inside the UPS is necessary.

CAUTION! Servicing of batteries should be performed or supervised by personnel knowledgeable of batteries and the required precautions. Keep unauthorized personnel away from batteries.

CAUTION! When replacing the batteries, use the same number and type of batteries.

CAUTION! Internal battery voltage is 12VDC. Sealed, lead-acid, 6-cell battery.

CAUTION! Do not dispose of batteries in a fire. The battery may explode. Do not open or mutilate the battery or batteries. Released electrolyte is harmful to the skin and eyes.

CAUTION! Unplug the UPS prior to cleaning and do not use liquid or spray detergent.

CAUTION! A battery can present a risk of electric shock and high short circuit current. The following precaution should be observed before replacing batteries:

- 1) Remove watches, rings, or other metal objects.
- 2) Use tools with insulated handles.
- 3) Wear rubber gloves and boots.
- 4) Do not lay tools or metal parts on top of batteries.
- 5) Disconnect charging source prior to connecting or disconnecting batteries terminal.