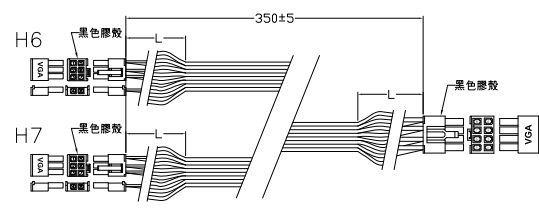
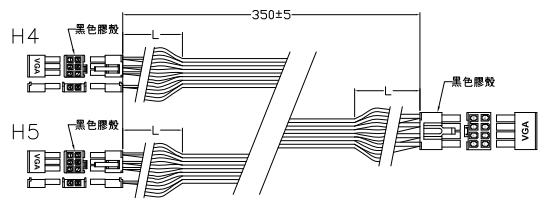
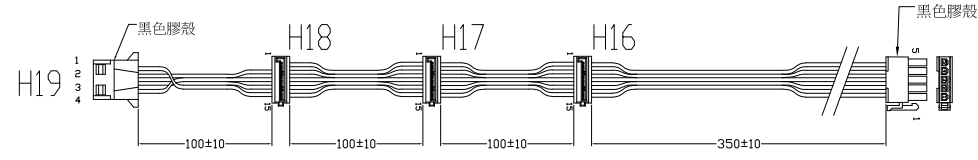
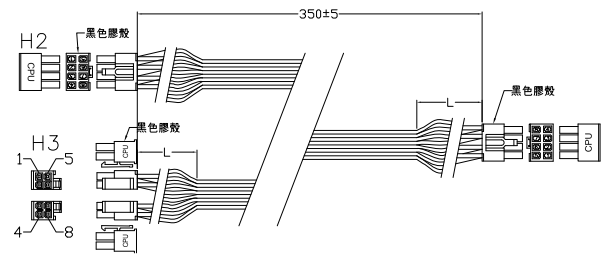
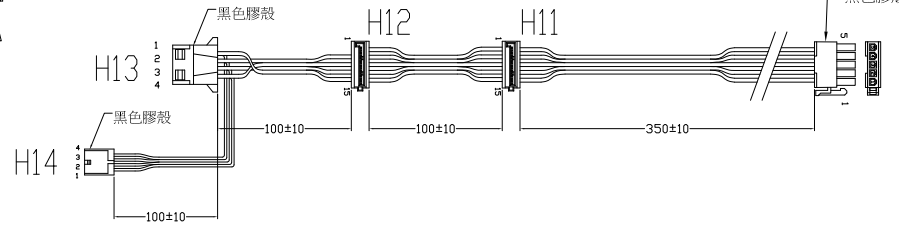
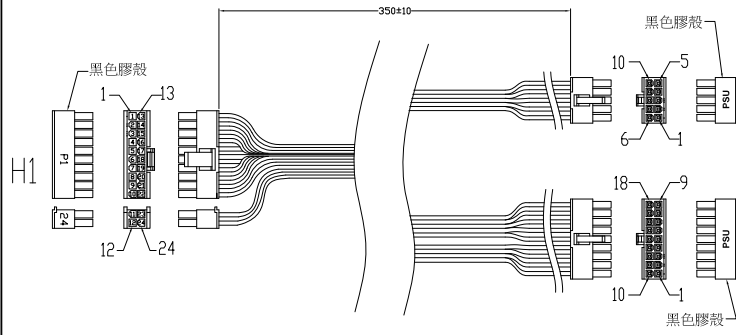


NOTE:
1. ALL THE LENGTH OF OUTPUT WIRES EXCLUDE HOUSING.
2. 公差: .X=±1[0.04]、.XX=±0.5 [0.02]、.XXX=±0.25 [0.01].

UNIT:mm [inch]

P/N.:9PA8505000

| | | | |
|--------------------------|-------------|---------------|------------|
| MODEL NO. : FSP850-57SBB | TITLE: ASSY | SHEET: 1 OF 1 | REV:01 |
| R&D(2) | PE | DRAWN | DATE |
| | | Lukas | 2020.11.16 |
| INTERIOR COUNTERSIGN: | | | |



| REF. ID. | PIN NO. | SIGNAL | WIRE COLOR | GAUGE | CONNECTOR TYPE | CABLE LENGTH |
|----------------------|---------|-------------|------------|-------|--|--------------|
| H1 / 24 | 1 | +3.3VDC | BLACK | 18 | WST P20- I42002K11D-B +P4- I42002K11D-B or EQUIV. | 350±15mm |
| | 2 | +3.3VDC | BLACK | 18 | | |
| | 3 | +3.3V Sense | BLACK | 22 | | |
| | 4 | COM | BLACK | 18 | | |
| | 5 | +5V | BLACK | 18 | | |
| | 6 | COM | BLACK | 18 | | |
| | 7 | +5V Sense | BLACK | 18 | | |
| | 8 | COM | BLACK | 18 | | |
| | 9 | PW-OK | BLACK | 18 | | |
| | 10 | +5Vsb | BLACK | 18 | | |
| | 11 | +12V | BLACK | 18 | | |
| | 12 | +12V Sense | BLACK | 22 | | |
| | 13 | +12V | BLACK | 18 | | |
| | 14 | +3.3VDC | BLACK | 18 | | |
| | 15 | -12VDC | BLACK | 18 | | |
| | 16 | COM | BLACK | 18 | | |
| | 17 | PS-ON | BLACK | 22 | | |
| | 18 | COM | BLACK | 18 | | |
| | 19 | COM | BLACK | 18 | | |
| | 20 | COM | BLACK | 18 | | |
| | 21 | +5V | BLACK | 18 | | |
| | 22 | +5V | BLACK | 18 | | |
| | 23 | +5V | BLACK | 18 | | |
| | 24 | COM | BLACK | 18 | | |
| H2 | 1 | COM | BLACK | 18 | WST P8- I42002-B4 or EQUIV. | 350±15mm |
| | 2 | COM | BLACK | 18 | | |
| | 3 | COM | BLACK | 18 | | |
| | 4 | COM | BLACK | 18 | | |
| | 5 | +12V | BLACK | 18 | | |
| H3 | 1 | +12V | BLACK | 18 | WST P4- I42002K3B-B4 +P4- I42002K4B-B4 or EQUIV. | 350±10mm |
| | 2 | COM | BLACK | 18 | | |
| | 3 | COM | BLACK | 18 | | |
| | 4 | COM | BLACK | 18 | | |
| | 5 | +12V | BLACK | 18 | | |
| | 6 | +12V | BLACK | 18 | | |
| | 7 | +12V | BLACK | 18 | | |
| | 8 | +12V | BLACK | 18 | | |
| H4 H5 H6 H7 | 1 | +12V | BLACK | 18 | WST P6-I42002 K21-B5 +P2-I42002 K13B-B or EQUIV. | 350±15mm |
| | 2 | +12V | BLACK | 18 | | |
| | 3 | +12V | BLACK | 18 | | |
| | 4 | COM | BLACK | 18 | | |
| | 5 | COM | BLACK | 18 | | |
| | 6 | COM | BLACK | 18 | | |
| | 7 | COM | BLACK | 18 | | |
| | 8 | COM | BLACK | 18 | | |
| P11 P16 | 1 | +3.3VDC | BLACK | 18 | MDLEX SD-67926 -0011 or EQUIV. | 350±15mm |
| | 2 | COM | BLACK | 18 | | |
| | 3 | +5V | BLACK | 18 | | |
| | 4 | COM | BLACK | 18 | | |
| | 5 | +12V | BLACK | 18 | | |
| P12 P17 P18 | 1 | +3.3VDC | BLACK | 18 | MDLEX SD-67926 -0011 or EQUIV. | 100±10mm |
| | 2 | COM | BLACK | 18 | | |
| | 3 | +5V | BLACK | 18 | | |
| | 4 | COM | BLACK | 18 | | |
| | 5 | +12V | BLACK | 18 | | |
| P13 P19 | 1 | +12V | BLACK | 18 | AMP 1-480424-0 or EQUIV. | 100±10mm |
| | 2 | COM | BLACK | 18 | | |
| | 3 | COM | BLACK | 18 | | |
| | 4 | +5V | BLACK | 18 | | |
| P14 | 1 | +5V | BLACK | 22 | AMP 171822-4 or EQUIV. | 100±10mm |
| | 2 | COM | BLACK | 22 | | |
| | 3 | COM | BLACK | 22 | | |
| | 4 | +12V | BLACK | 22 | | |

P/N.:9PA8505000

UNIT:mm