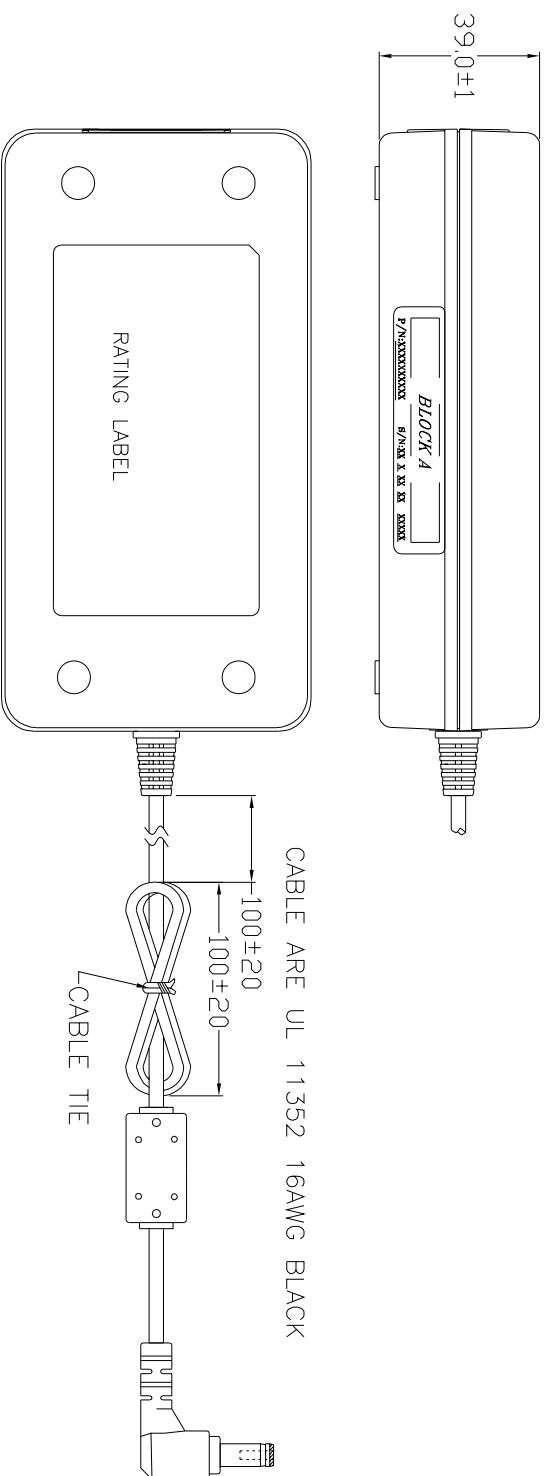
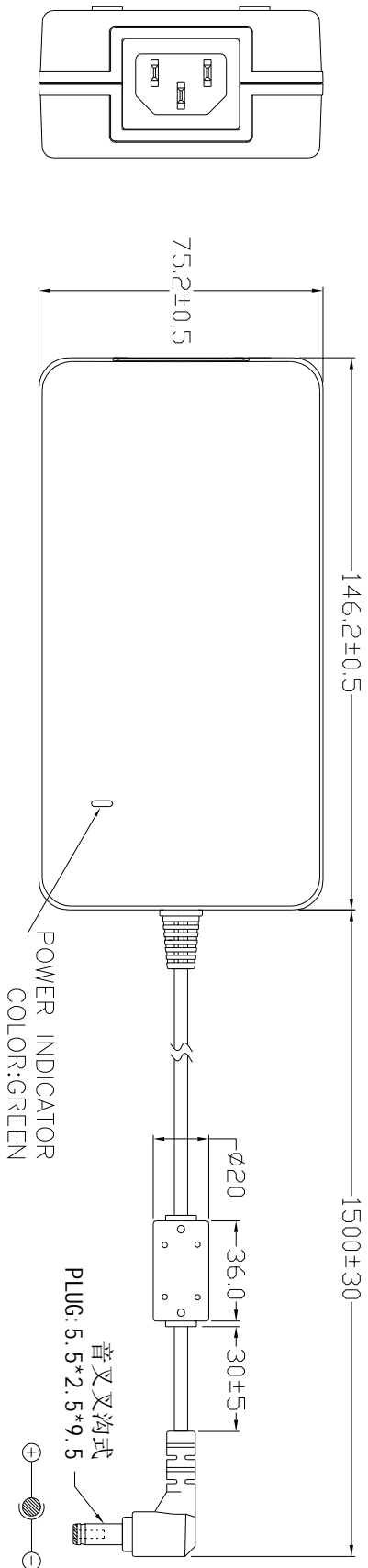


UNIT:mm

REV	修改內容



NOTES:

1. CASE COLOR: BLACK
2. INLET: C14
3. 未注公差: ±0.5

P/N: 9NA1001200

MODEL NO.: FSP100-RAAK3	OUTLINE	SHEET: 1 OF 1		REV: 1
R&D(SH)	P E	DRAWN	DATE	
INTERIOR COUNTERSIGN:		HUYF	04/JUN/18'	