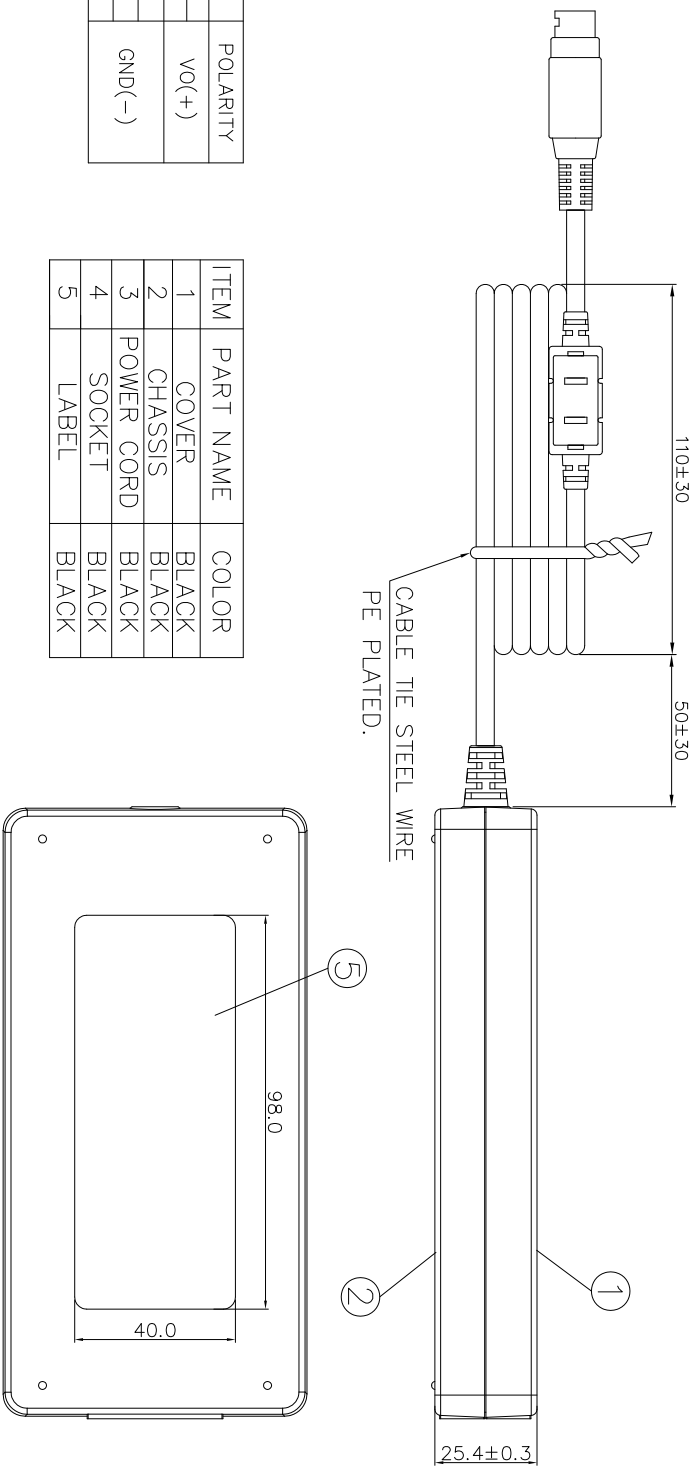


DIN PLUG	POLARITY
P1	VO(+)
P2	
SHIELD	
P3	
P4	GND(-)

ITEM	PART NAME	COLOR
1	COVER	BLACK
2	CHASSIS	BLACK
3	POWER CORD	BLACK
4	SOCKET	BLACK
5	LABEL	BLACK



THIRD ANGLE PROJECTION

SCALE: UNIT:mm

()	()	(V)	()
<50	±0.2	0~100	±0.2
50~100	±0.3	100~200	±0.3
>100~200	±0.4	200~300	±0.4
>200~300	±0.5	300~400	±0.5
>300	±0.6	400~500	±0.6

P/N:9NA1804500

MODEL NO. : FSP180-AWMAN3	TITLE: Physical Dimension	SHEET: 1 OF 1	REV:01
R&D3 Division	PE	ME	DATE
L.J	ABBY	ABBY	2018-2-23
INTERIOR COUNTERSIGN:			

