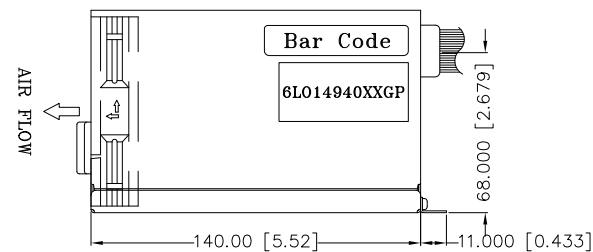
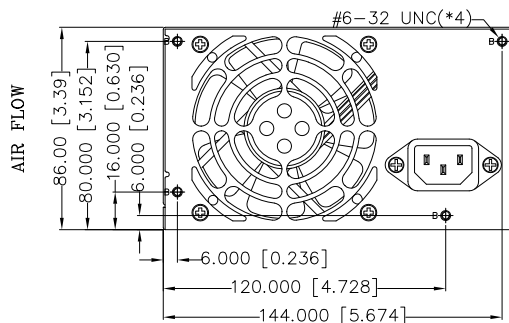
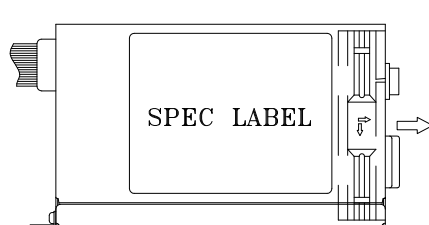
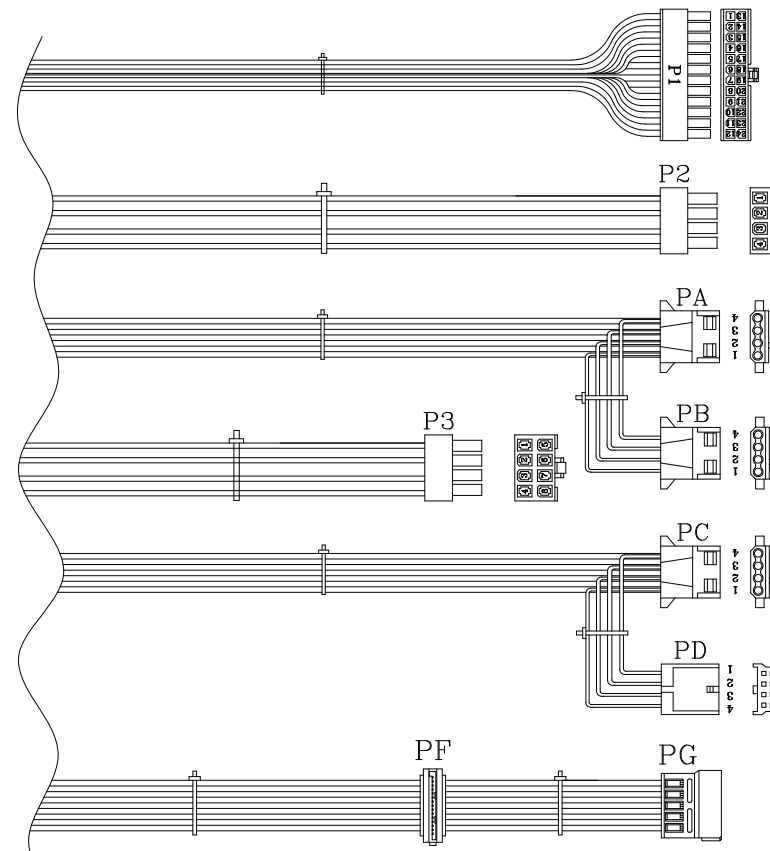
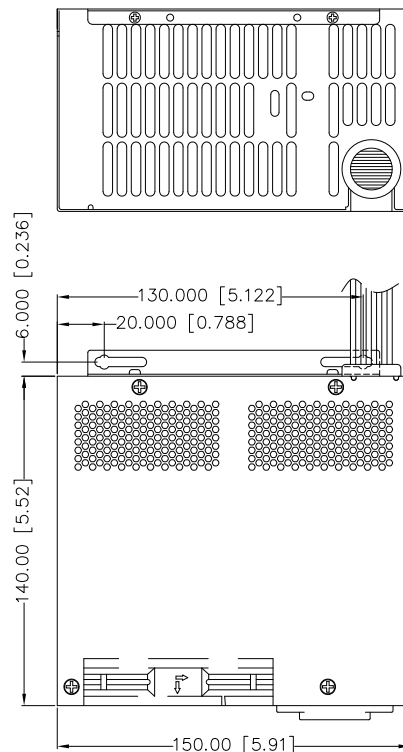


REF. ID.	PIN NO.	SIGNAL	WIRE COLOR	GAUGE	CONNECTOR TYPE	CABLE LENGTH		
P1	1	+3.3VDC	ORANGE	18	MOLEX 39-01-2240 or EQUIV.	350±15mm		
	2	+3.3VDC	ORANGE	18				
	3	COM	BLACK	18				
	4	+5VDC	RED	18				
	5	COM	BLACK	18				
	6	+5VDC	RED	18				
	7	COM	BLACK	18				
	8	PW-OK	GRAY	22				
	9	+5Vsb	PURPLE	18				
	10	+12V	YELLOW	18				
	11	+12V	YELLOW	22				
	12	+3.3VDC	ORANGE	18				
	13	+3.3VDC	ORANGE	18				
	14	+3.3VSense	BROWN	22				
	15	-12VDC	BLUE	22				
	16	COM	BLACK	18				
	17	PS-ON	GREEN	22				
	18	COM	BLACK	18				
	19	COM	BLACK	18				
	20							
	21	+5VDC	RED	18				
	22	+5VDC	RED	18				
	23	+5VDC	RED	18				
	24	COM	BLACK	18				
P2	1	COM	BLACK	18	MOLEX 39-01-2080 or EQUIV.	350±15mm		
	2	COM	BLACK	18				
	3	COM	BLACK	18				
	4	COM	BLACK	18				
P3	5	+12V	YELLOW	18				
	6	+12V	YELLOW	18				
	7	+12V	YELLOW	18				
	8	+12V	YELLOW	18				
PA	1	+12V	YELLOW	18	AMP 1-480424-0 or EQUIV.	350±15mm		
	2	COM	BLACK	18				
	3	COM	BLACK	18				
	4	+5V	RED	18				
PB	1	+12V	YELLOW	18	AMP 1-480424-0 or EQUIV.	155±10mm		
	2	COM	BLACK	18				
	3	COM	BLACK	18				
	4	+5V	RED	18				
PD	1	+5V	RED	22	AMP 171822-4 or EQUIV.	155±10mm		
	2	COM	BLACK	22				
	3	COM	BLACK	22				
	4	+12V	YELLOW	22				
PF	1	+3.3VDC	ORANGE	18	MOLEX SD-67926-001 or EQUIV.	350±15mm		
	2	COM	BLACK	18				
	3	+5V	RED	18				
	4	COM	BLACK	18				
	5	+12V	YELLOW	18				
PG	1	+3.3VDC	ORANGE	18	MOLEX SD-67582-001 or EQUIV.	155±10mm		
	2	COM	BLACK	18				
	3	+5V	RED	18				
	4	COM	BLACK	18				
	5	+12V	YELLOW	18				



NOTE:

1. ALL THE LENGTH OF OUTPUT WIRES EXCLUDE HOUSING.
2. 公差: .XX=±0.5 [0.02]、.XXX=±0.25 [0.01]

UNIT:mm

P/N.:9PA500D700

MODEL NO.: FSP500-50ANB(STD0001)		TITLE: ASSY	SHEET: 1 OF 1	REV:03
R&D(2)	PE	DRAWN	DATE	
				May.10.2023
INTERIOR COUNTERSIGN:				